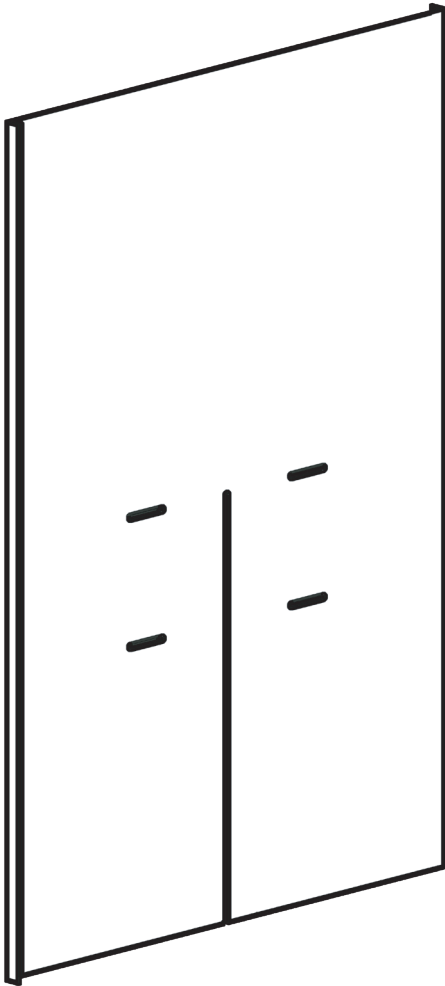
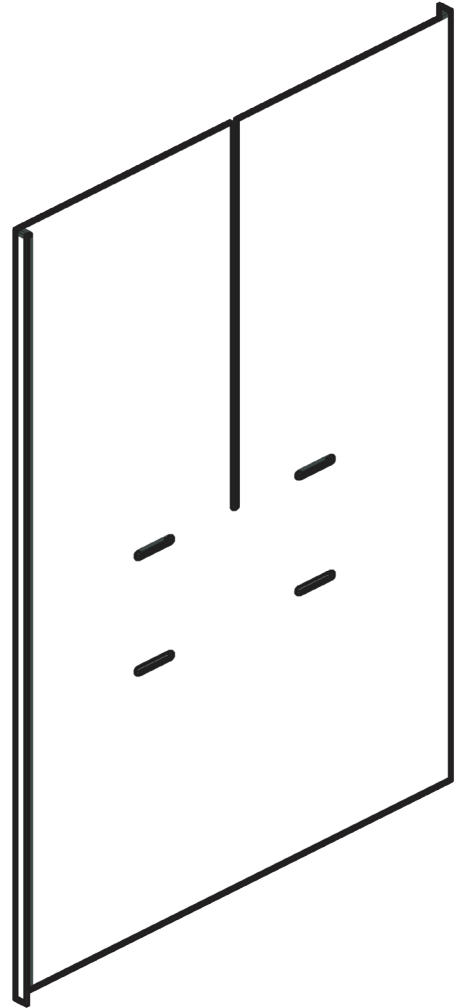


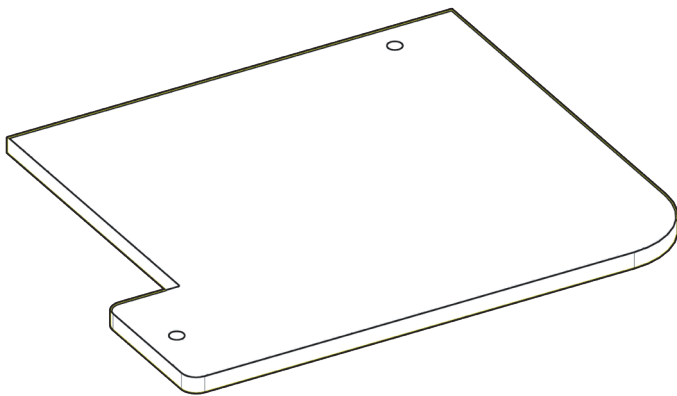
CONTENTS



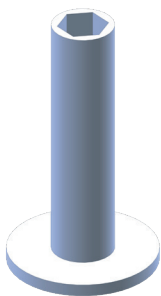
PANEL 1-QTY X 1



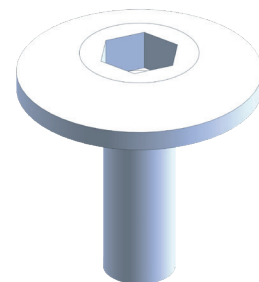
PANEL 1-QTY X 1



SHELF-QTY X 4

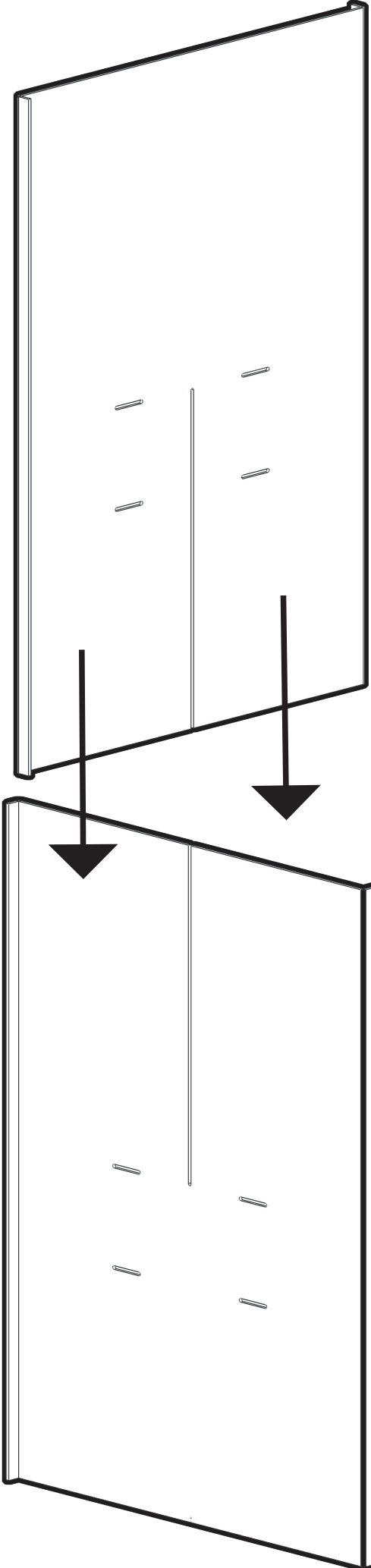


BINDING SCREW A QTY X 4



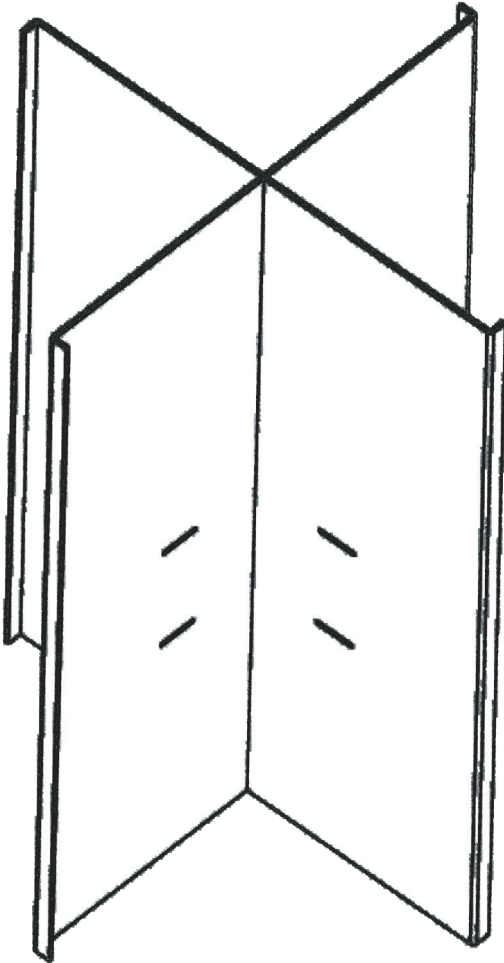
BINDING SCREW B QTY X 4

STAGE 1



PANEL 1

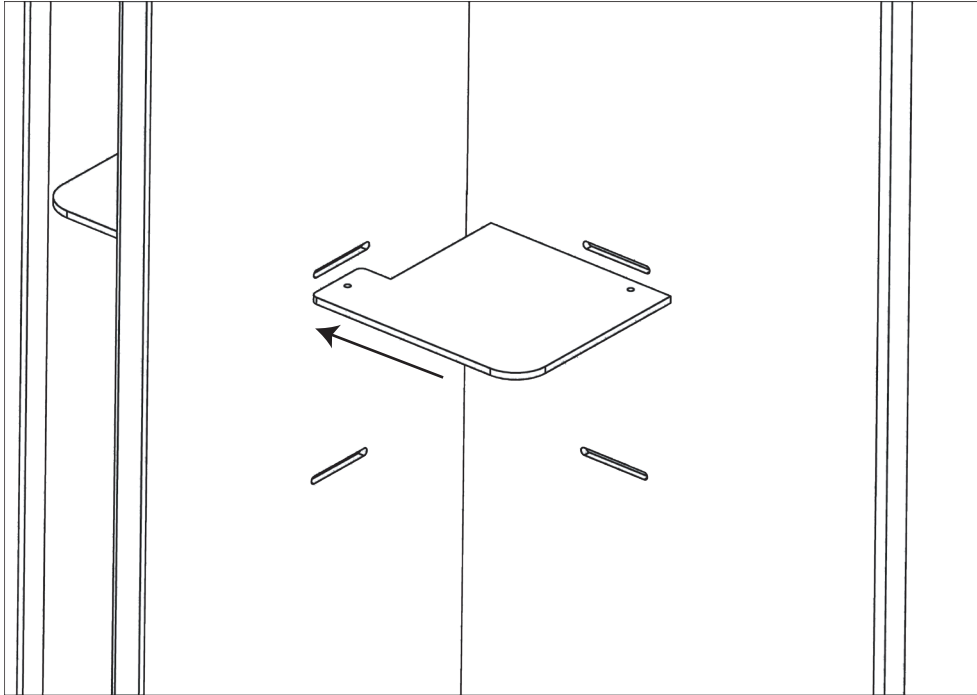
SLOT PANEL AND 2 TOGETHER



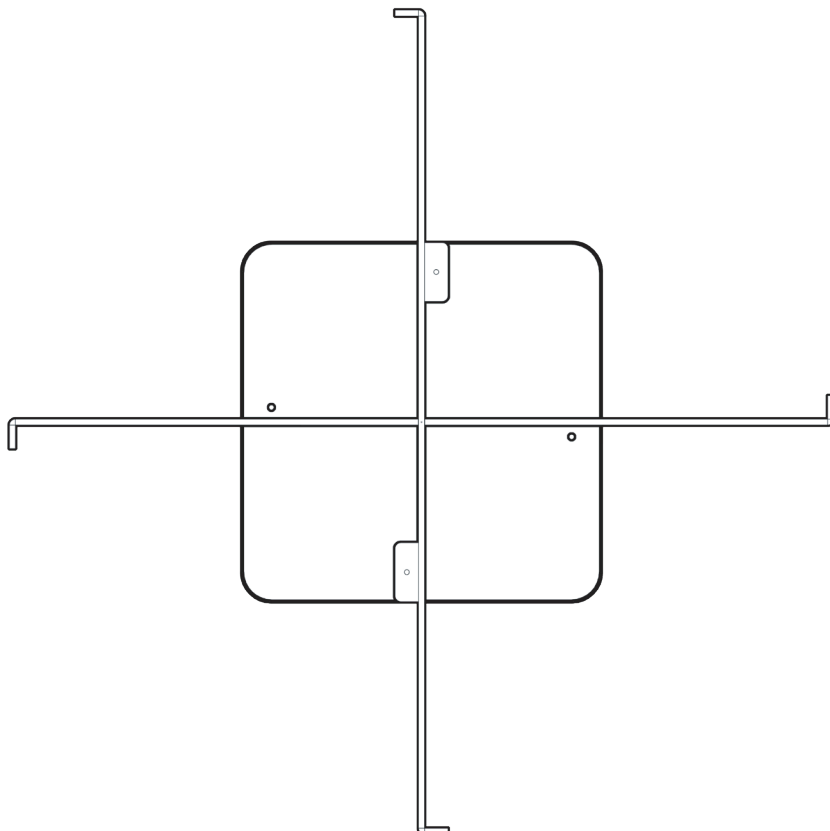
PANEL 2

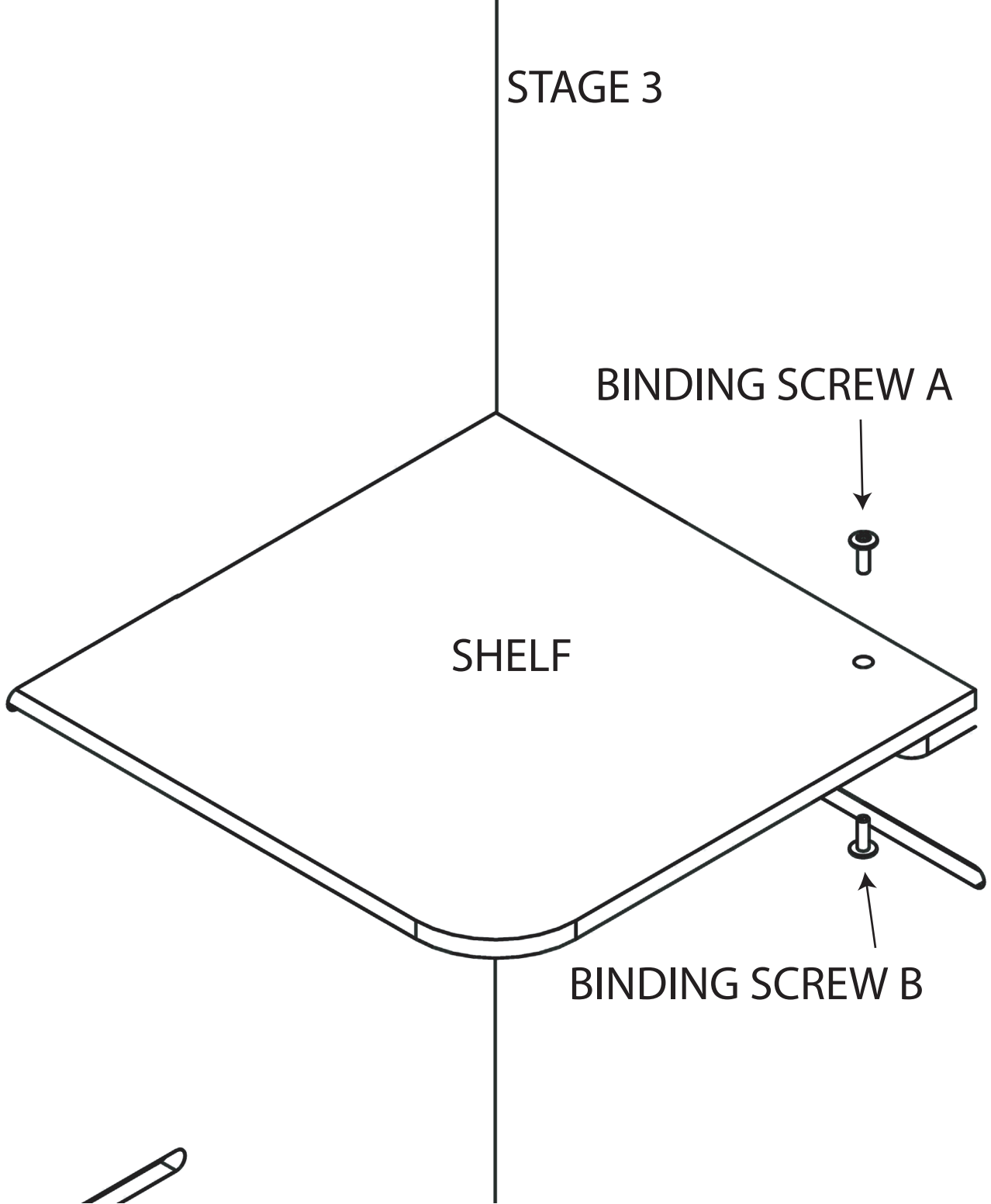
STAGE 2

CHOOSE BETWEEN THE UPPER
OR LOWER SHELF POSITION



SLIDE THE SHELF INTO THE SLOT ON THE
LEFT HAND SIDE.
REPEAT THIS FOR ALL 4 SHELVES





SECURE THE SHELVES TOGETHER
WITH BINDING SCREW A AND B

REPEAT FOR ALL 4 SHELVES